

# Vannus

## **INSTRUCTION MANUAL**

MODEL  
**VC2-3B/52 LED**  
**CEILING FAN**

Version: 2021 V1 (SIN)

# Table of Contents

Item	Page No.
1. Safety Precaution .....	1 - 2
2. Parts & Accessories .....	3
3. Installation Instruction .....	4 - 7
4. Power Supply Connection .....	7
5. Circuit Diagram .....	8
6. Transmitter Programming .....	9
7. Transmitter Function & Assembly .....	10
8. Maintenance .....	11
9. Technical Specifications .....	11 - 12
10. Customer Service Centre .....	12

## Safety Precaution

### Warning

Installation and maintenance work shall only be performed by qualified persons, familiar with local code and regulation, and experienced with this type of appliance.

All field wiring must be installed in accordance with the national wiring regulation.

Ensure that the rated voltage of the unit corresponds to that of the name plate before commencing wiring work according to the wiring diagram.

The appliance must be permanently connected to the electricity supply through a double pole switch having a contact separation of at least 3mm in all poles.

#### **The unit must be GROUNDED to prevent possible hazard due to insulation failure.**

The earth wire is approximately 60mm longer than safety wire. This is to ensure at the event whereby the suspension system fails, the (L) and (N) wire will break leaving the fan remain earthed to prevent electrocution.

#### **Tighten the blade firmly using a screw driver.**

Blades that are detached from the unit during operation will cause serious injuries and property damages.

This appliance is not intended for use by persons (including children) with reduced physical, sensory or mental capabilities, or lack of experience and knowledge, unless they have been given supervision or instruction concerning use of the appliance by a person responsible for their safety.

Children should be supervised to ensure that they do not play with the appliances.

Confirm that the power supply has been switched OFF before installing or servicing the unit. Ensure that the blade is fully static before doing any maintenance work.

## Safety Precaution

### **STOP using the ceiling fan when any abnormality or failure occurs.**

If unusual oscillating movement is observed, immediately stop using the ceiling fan and contact the manufacturer, its service agent or suitably qualified persons.

### **CAUTION**

#### **Please take note of the following important points when installing.**

The fixing means for attachment to the ceiling such as hooks or other devices shall be fixed with a sufficient strength to withstand 4 times the weight of the ceiling fan.

The mounting of the suspension system shall be performed by the manufacturer, its service agent or suitably qualified persons.

The fan is to be installed so that the blades are more than 2.5m above the floor.

#### **Safety cord should not be longer than the earthing conductor.**

Should failure of the suspension system occur, the supporting of the fan must not rely on the earthing conductor. The earthing terminal in the fan assembly should be such that should any part of the suspension system fall off, the body of the fan assembly shall effectively earthed.

#### **Ensure that the unit's panel is closed after service or installation.**

Unsecured panels will cause the unit to operate noisily.

#### **Sharp edges and coil surfaces are potential locations which may cause injury hazards. Avoid from being in contact with these places.**

#### **Before turning off the power supply set the remote controller's ON/OFF switch to the "OFF" position.**

If this is not done, the unit's fans will start turning automatically when power resumes, posing a hazard to service personnel or the user.

Do not operate any heating apparatus too close to the ceiling fan unit or use in room where mineral oil, oil vapour or oil steam exist, this may cause plastic part to melt or deform as a result of excessive heat or chemical reaction.

Ensure the colour of wires of the outdoor unit and the terminal markings are same to the indoors respectively.

Don't use joined and twisted wires for incoming power supply.

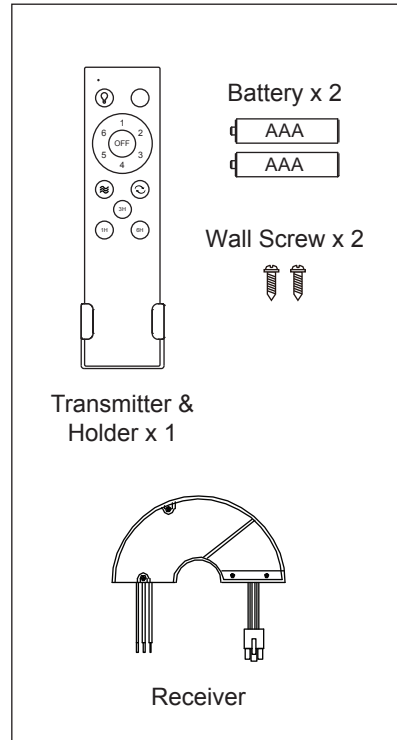
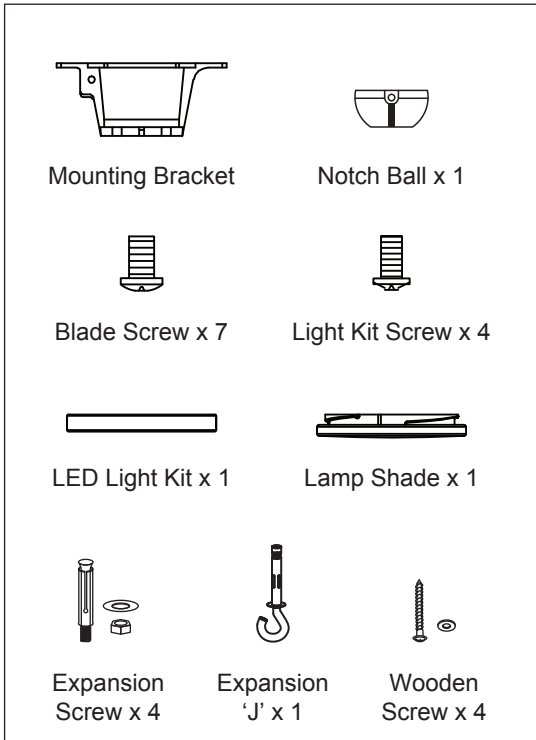
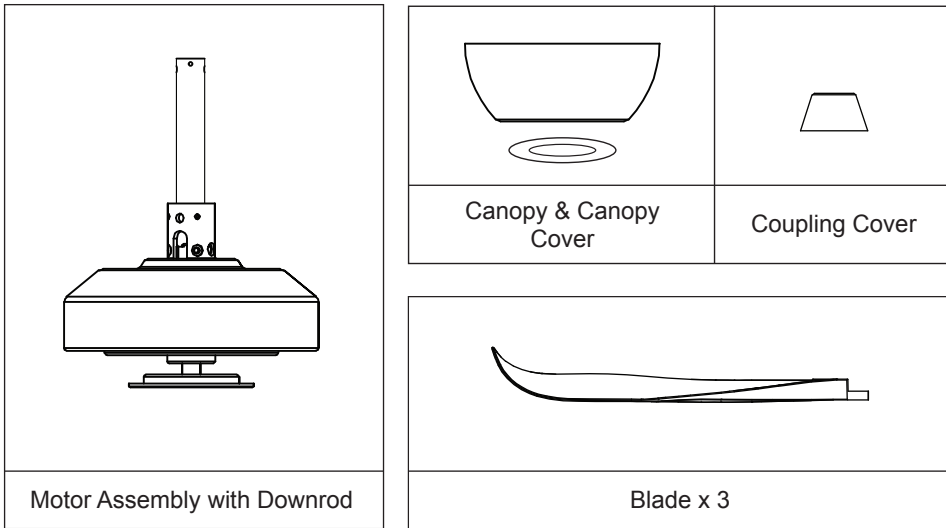
Do not place any object in the path of the blades. Avoid raising objects or your arms near the ceiling fan.

The fan suspension system and blade screw tightening shall be examined yearly.

Replacement of parts of the safety suspension system device shall be performed by the manufacturer, its service agent or suitably qualified persons.

Torque value for screw/bolts for securing primary suspension system for motor is 2Nm.

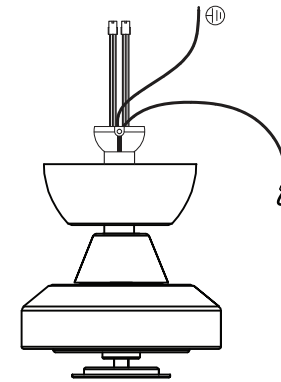
# Parts & Accessories



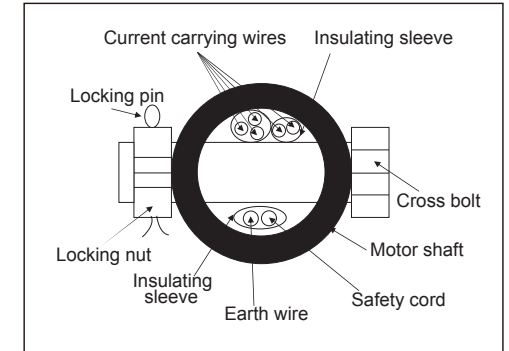
# Installation Instruction

**IMPORTANT : SWITCH OFF THE ELECTRICAL MAINS AT THE CIRCUIT BREAKER FUSE BOX.**

**Step 1 -** Notch Ball, Canopy and Coupling Cover is pre-assembled to Motor in packaging.

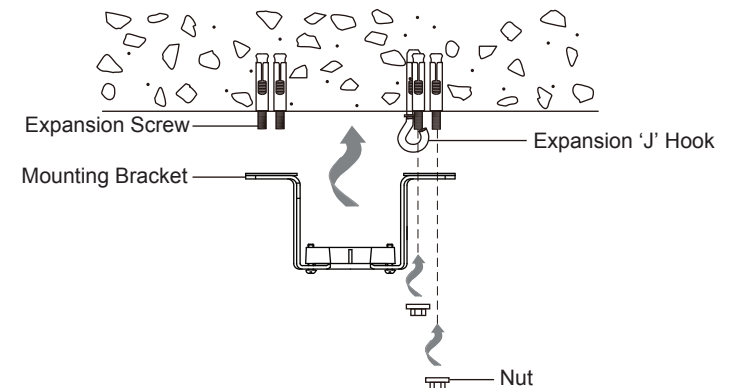


The diagram below shows the assembly of wires through downrod



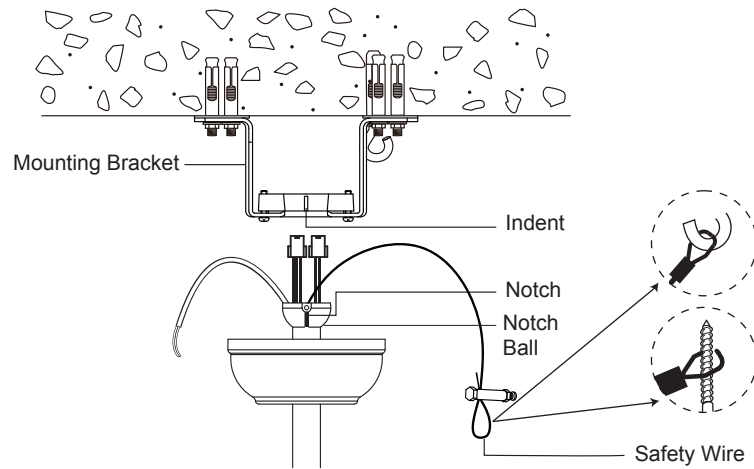
**Step 2 -** Drill the 4 Expansion Screws and 1 Expansion 'J' Hook provided to the concrete ceiling. Align the slotted holes in the mounting bracket with the expansion screws and secure with the washer and nuts.

**IMPORTANT : THE EXPANSION SCREWS, EXPANSION 'J' HOOK AND NUT MUST BE TIGHTENED UNTIL SNUG.**

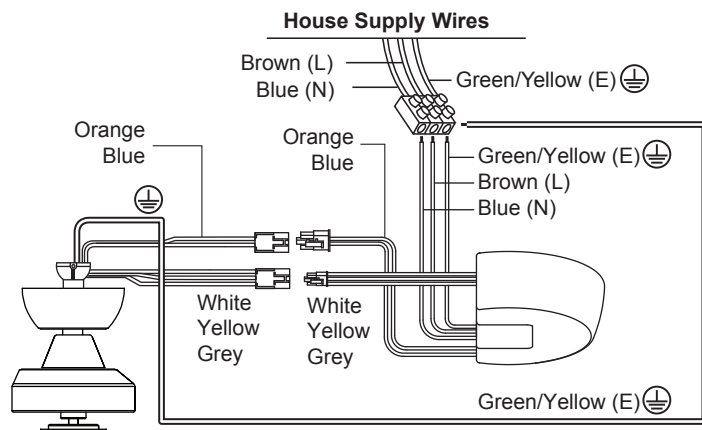


## Installation Instruction

**Step 3** - Raise the fan and place the ball into the Mounting Bracket. Align the notch on the Notch Ball with the indent in the mounting bracket until you hear the notch pop into place. Hook the Safety Wire onto the expansion 'J' hook.

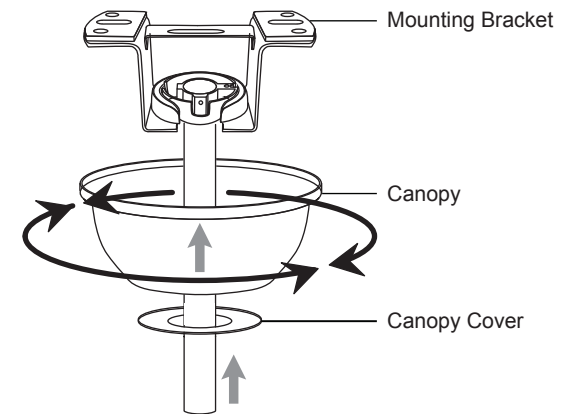


**Step 4** - Connect the Connectors from Fan and Receiver. Connect the wires from the Receiver to House's Supply Wire. Connect Earth Wire to House Supply Earth Terminal.

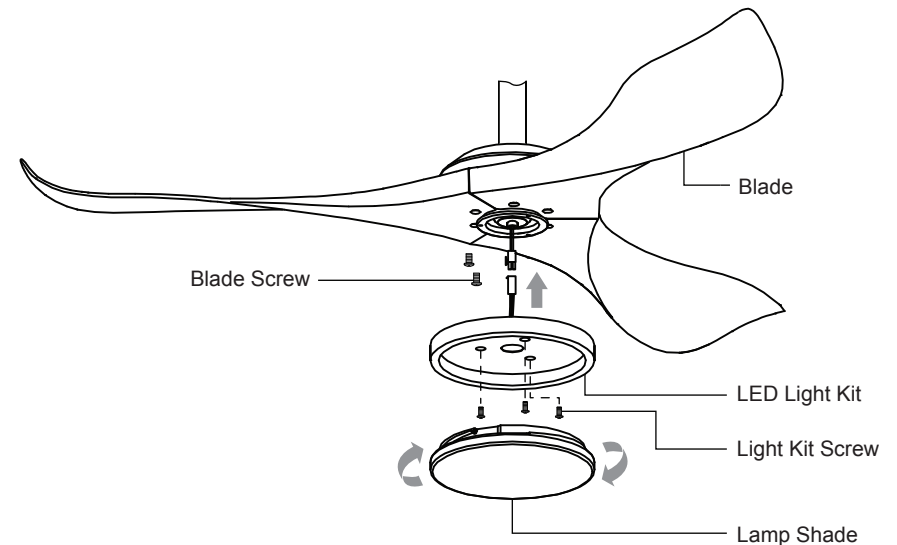


## Installation Instruction

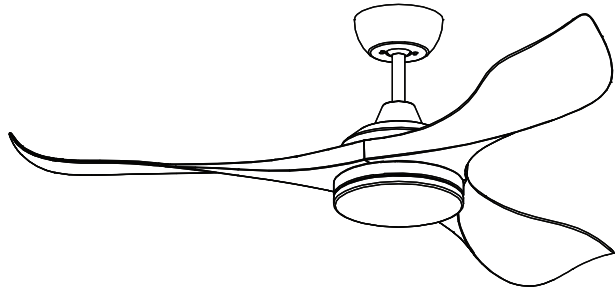
**Step 5** - Loosen (do not remove) the two screws on Mounting Bracket. Slide the Canopy and Canopy Cover to Mounting Bracket and place the key hole on the Canopy over the screw on the Mounting Bracket, turn Canopy until it locks in place at the narrow section of the key holes. Align the keyholes on the Canopy with Mounting Bracket and secure with the 2 screws. Align the holes on Canopy Cover with Canopy and push in until snug.



**Step 6** - Install the Blades on Motor with Blade Screw. Connect the connectors and install the LED light kit onto fan by Light Kit Screw. Install the Lamp Shade by twisting in.

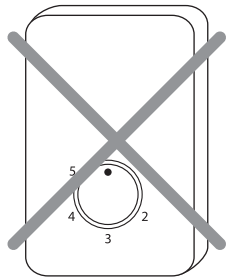


Below shows a complete installation diagram.

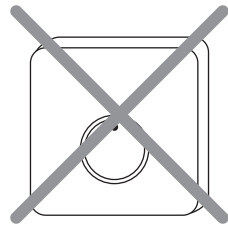


## Power Supply Connection

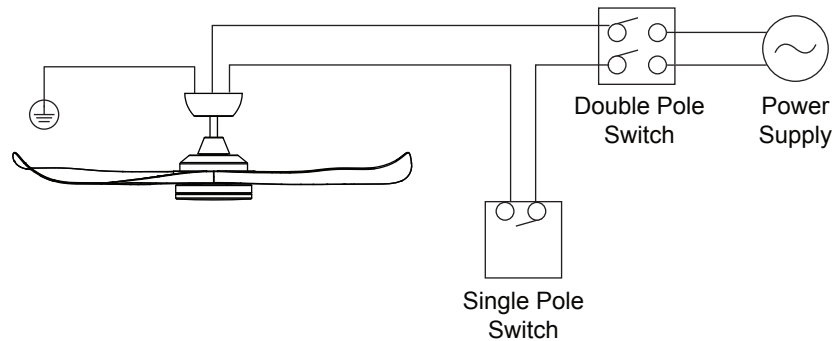
**IMPORTANT : DO NOT CONNECT THIS REMOTE CONTROL CEILING FAN TO DIMMER SWITCH OR REGULATOR.**



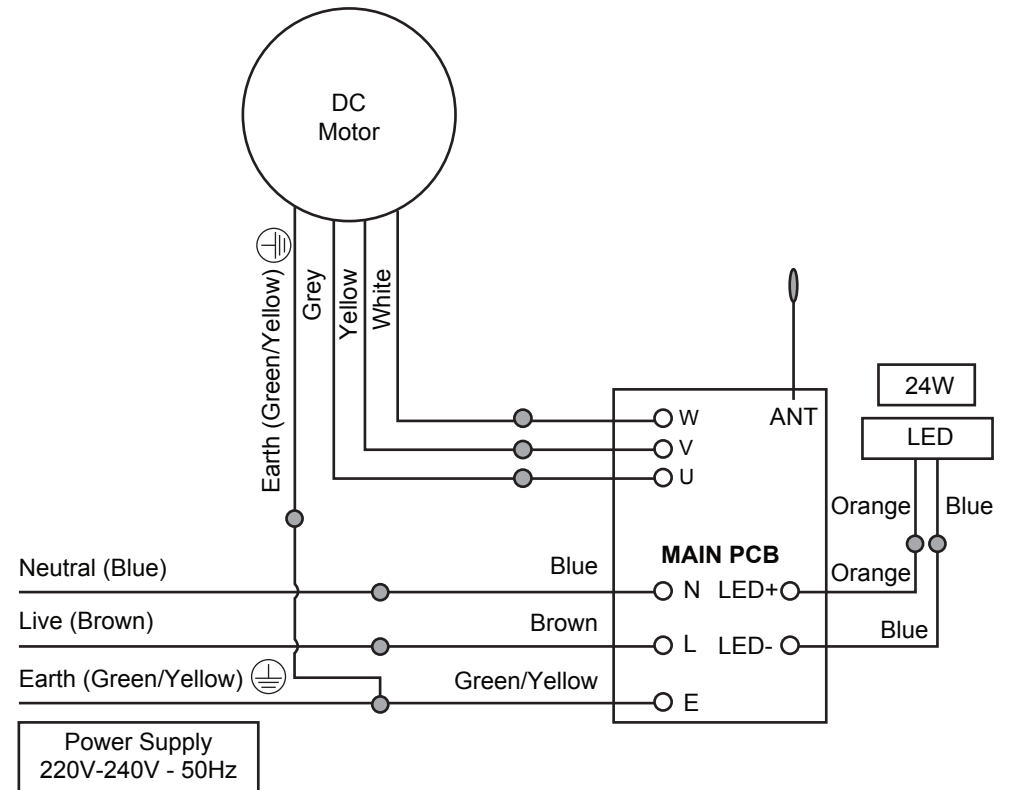
Regulator



Dimmer Switch



## Circuit Diagram



# Transmitter Learning Process

**IMPORTANT : DO NOT CONNECT THIS REMOTE CONTROL CEILING FAN TO DIMMER SWITCH OR REGULATOR.**

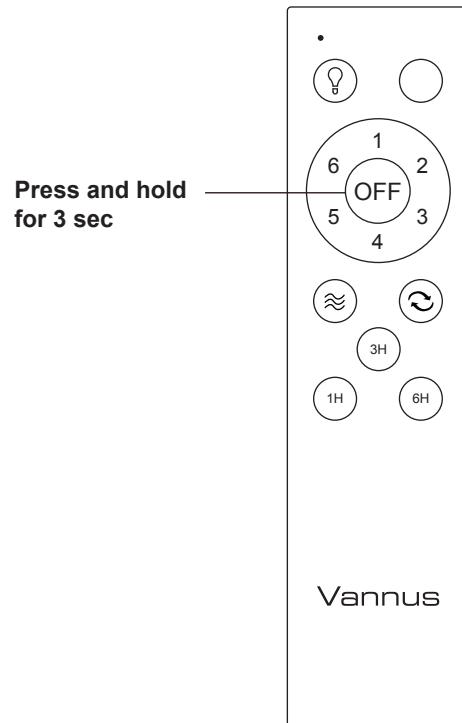
The receiver & transmitter is pre-programmed in factory. If you wish to control 2 or more fans using 1 transmitter, the below steps are required.

**DO NOT PRESS ANY OTHER BUTTON DURING THIS PROCESS**

## Step 1

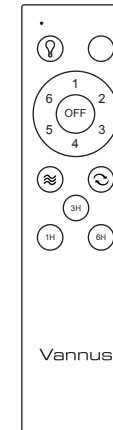
- Insert the 2 pcs of batteries (provided) into transmitter.
- Turn on the power supply (wall switch) to the fan.
- Within 30 sec, press and hold the "OFF" button for 3 sec. Once the receiver has detected the frequency, transmitter will "Beep Beep" twice. Programming process is completed and fan is ready to use.

*If the fan is not responding to the transmitter, repeat Step 1b.*

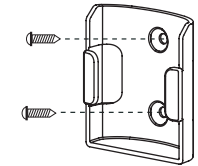


# Transmitter Function

- 💡 - Light on/off & select LED colour
- OFF - Turn off fan
- 1 - 6 - Fan speed lowest to highest
- 🌀 - Natural wind, creating gentle sea-breeze effect
- ↻ - Forward/Reverse, turn anti-clockwise or clockwise rotation.
- 1H - Timer on - fan turns on after 1hr
- 3H - Timer on - fan turns on after 3hr
- 6H - Timer on - fan turns on after 6hr



Mount the remote control holder on the wall with the screws provided.

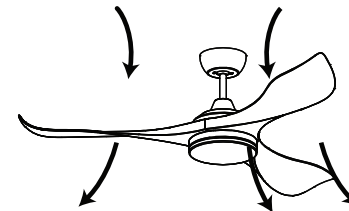


The transmitter & receiver is incorporated with last memory function. This function stores your last setting in memory and the next time you turn on the fan, fan will operate as the last setting.

# Function of Forward & Reverse

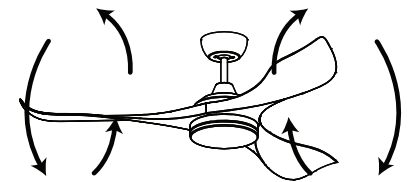
Fan must be turned on and rotating.

Press Forward/Reverse button and fan will slow down and then change direction (approx. 15 sec). When the fan is slowing down to change direction, the Fan Speed function is disabled until direction has been changed.



## Forward

Fan rotates anti-clockwise blowing the air downwards creating the wind chill effect. **Suitable for hot weather.**



## Reverse

Fan rotates clockwise drawing the air towards the ceiling circulating the warm air downwards. This function works best at low speed. **Suitable for air-conditioned condition.**

## Maintenance

Due to the fan's natural movement, connections may get loose after period of usage. To ensure a proper and safety usage, it is highly recommended to inspect and tighten all connections every 6 months.

### Cleaning

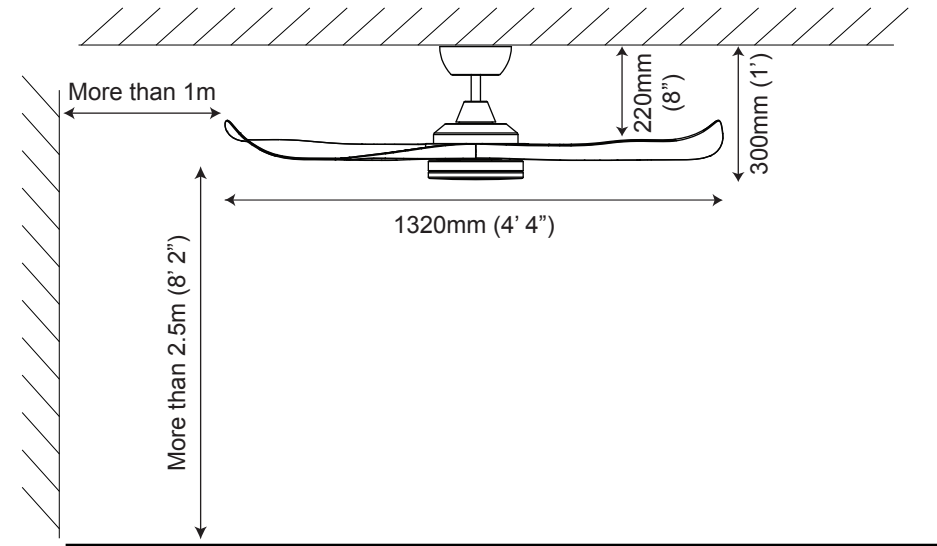
Cleaning your fan periodically will prolong its new appearance. Basic cleaning procedures are as follows :

1. Use only water and mild soap. Do not use solvents, corrosive or acidic solution.
2. Damp the cloth lightly. Use only soft or lint-free cloth to clean the fan. Rough fabric will scratch the surface.
3. Do not bent the blades while cleaning. At the event where blades are bent or damage, order new set of blades from service center or dealer shop.
4. There is no need to oil the fan.

## Technical Specifications

Model	VC2-3B/52 LED
No. of Blades	3
Fan Width	52"
Motor R.P.M	90 - 225
Voltage	220V-240V~ 50Hz
Motor Wattage	5W - 40W
LED Wattage	24W
Nett Weight	6.0kg

## Technical Specifications



## Customer Service Centre

If you need any technical assistance or faulty report, please contact our customer service centre at :

**Alpha Sales & Services Pte. Ltd.** (200709461 R)

50, Ubi Avenue 3, #02-16/17, Frontier, Singapore 408866.

Tel : +65 6841 0111

Fax : +65 6747 0030

Website : [www.alphasingapore.com](http://www.alphasingapore.com)

Email : [customer@alphasingapore.com](mailto:customer@alphasingapore.com)