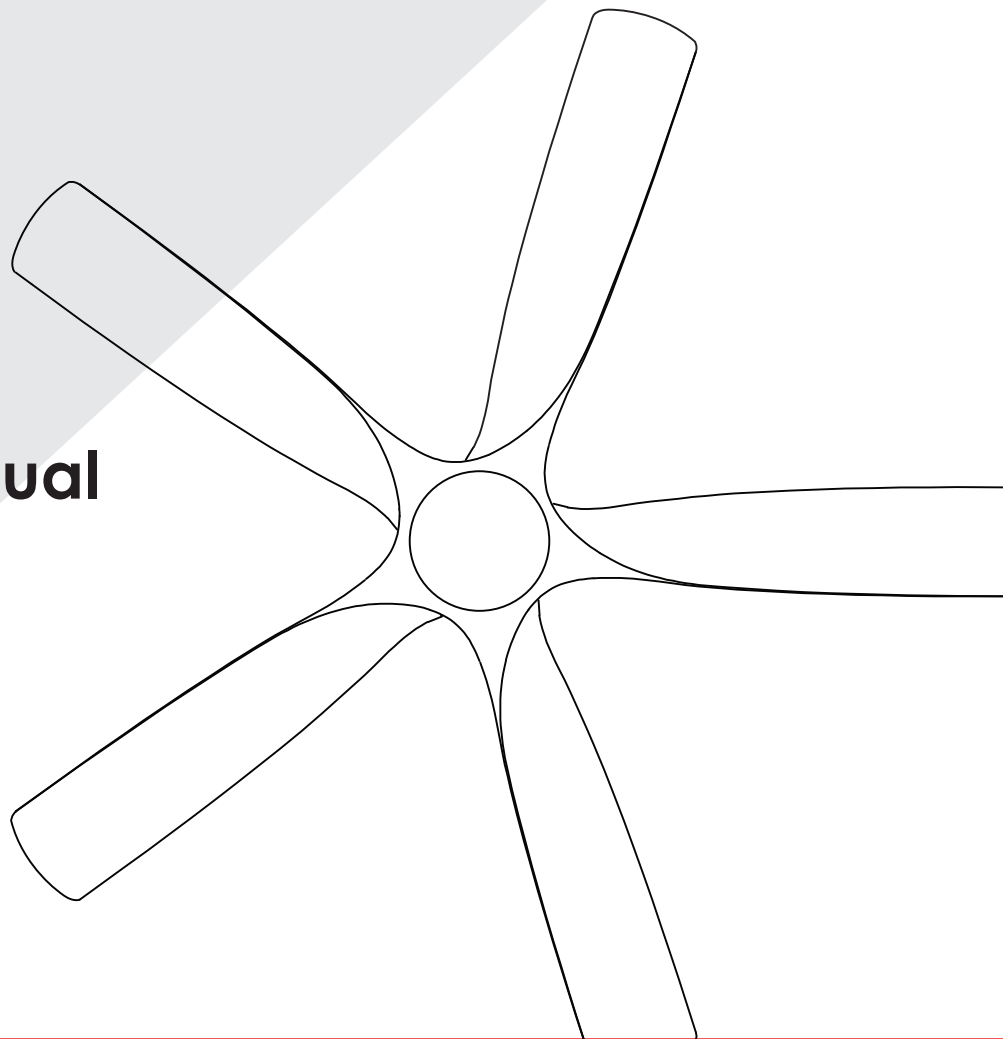


ALKOVA
AXIS
5B/56

Instruction **Manual**



Content

Item

Page No.

1. Safety Precaution	1
2. Parts & Accessories	5
3. Installation Instruction	7
4. Transmitter Function & Assembly	13
5. Power Supply Connection & Circuit Diagram	17
6. Maintenance	19
7. Technical Specifications	20
8. Customer Service Centre	22

Safety Precaution

WARNING

Installation and maintenance work shall only be performed by qualified persons, familiar with local code and regulation, and experienced with this type of appliance.

All field wiring must be installed in accordance with the national wiring regulation.

Ensure that the rated voltage of the unit corresponds to that of the name plate before commencing wiring work according to the wiring diagram.

The appliance must be permanently connected to the electricity supply through a double pole switch having a contact separation of at least 3mm in all poles.

The unit must be GROUNDED to prevent possible hazard due to insulation failure.

The earth wire is approximately 60mm longer than safety wire. This is to ensure at the event whereby the suspension system fails, the (L) and (N) wire will break leaving the fan remain earthed to prevent electrocution.

Tighten the blade firmly using a screw driver.

Blades that are detached from the unit during operation will cause serious injuries and property damages.

Safety Precaution

WARNING

This appliance is not intended for use by persons (including children) with reduced physical, sensory or mental capabilities, or lack of experience and knowledge, unless they have been given supervision or instruction concerning use of the appliance by a person responsible for their safety.

Children should be supervised to ensure that they do not play with the appliance.

Confirm that the power supply has been switched OFF before installing or servicing the unit. Ensure that the blade is fully static before doing any maintenance work.

STOP using the ceiling fan when any abnormality or failure occurs.

If unusual oscillating movement is observed, immediately stop using the ceiling fan and contact the manufacturer, its service agent or suitably qualified persons.

CAUTION

Please take note of the following important points when installing.

The fixing means for attachment to the ceiling such as hooks or other devices shall be fixed with a sufficient strength to withstand 4 times the weight of the ceiling fan.

Safety Precaution

CAUTION

The mounting of the suspension system shall be performed by the manufacturer, its service agent or suitably qualified persons.

The fan is to be installed so that the blades are more than 2.5m above the floor.

Safety cord should not be longer than the earthing conductor.

Should failure of the suspension system occur, the supporting of the fan must not rely on the earthing conductor.

The earthing terminal in the fan assembly should be such that should any part of the suspension system fall off, the body of the fan assembly shall effectively earthed.

Ensure that the unit's panel is closed after service or installation.

Unsecured panels will cause the unit to operate noisily.

Sharp edges and coil surfaces are potential locations which may cause injury hazards. Avoid from being in contact with these places.

Before turning off the power supply set the remote controller's ON/OFF switch to the "OFF" position.

Safety Precaution

If this is not done, the unit's fans will start turning automatically when power resumes, posing a hazard to service personnel or the user.

Do not operate any heating apparatus too close to the ceiling fan unit or use in room where mineral oil, oil vapour or oil steam exist, this may cause plastic part to melt or deform as a result of excessive heat or chemical reaction.

Avoid the ceiling fan unit from exposing to direct sunlight, this may cause degradation of plastic material as a result of excessive heat and UV radiation

Ensure the colour of wires of the outdoor unit and the terminal markings are same to the indoors respectively.

Do not use joined and twisted wires for incoming power supply.

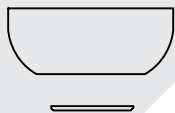
Do not place any object in the path of the blades. Avoid raising objects or your arms near the ceiling fan.

The fan suspension system and blade screw tightening shall be examined yearly.

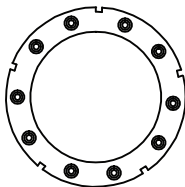
Replacement of parts of the safety suspension system device shall be performed by the manufacturer, its service agent or suitably qualified persons.

Torque value for screw/bolts for securing primary suspension system for motor is 2Nm.

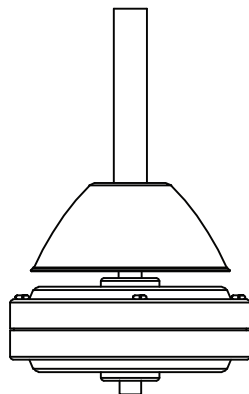
Parts & Accessories



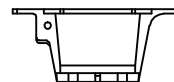
Canopy &
Canopy Cover x 1



Connecting Ring x 1



Motor Assembly
With Downrod &
Coupling Cover x 1



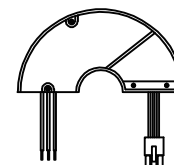
Mounting
Bracket x1



Notch Ball x 1



Decorative Cover x 1



Receiver x 1

Parts & Accessories



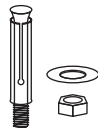
Blade x 5



Blade Screw x 11



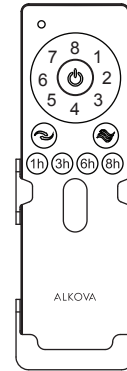
Connecting Ring
Screw x 11



Expansion
Screw x 4



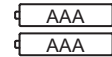
Expansion
'J' x 1



Transmitter
& Holder x 1



Wall Screw x 2



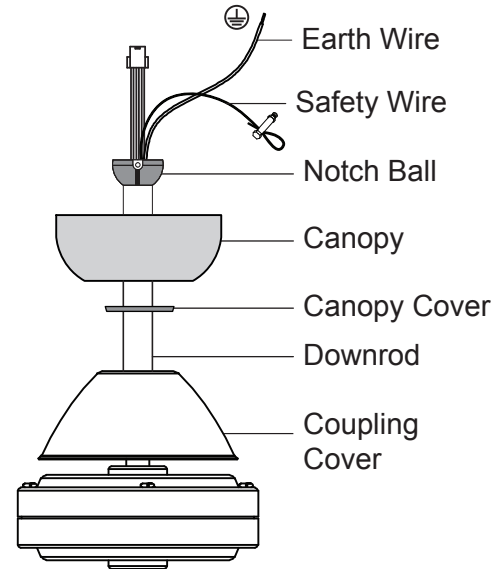
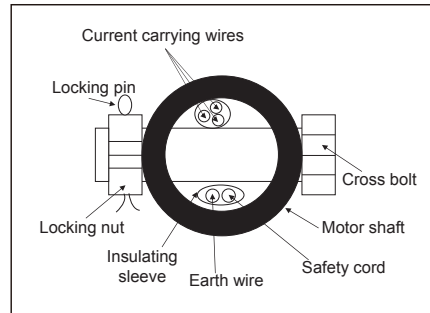
Battery x 2

Installation Instruction

1

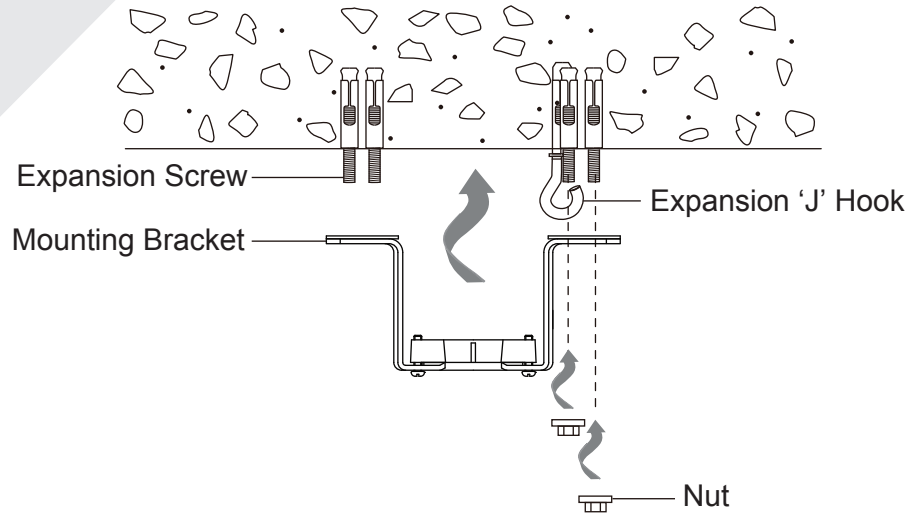
Assemble the Notch Ball, Canopy, Canopy Cover and Coupling Cover through the Downrod.

The diagram below shows the assembly of wires through downrod.



Installation Instruction

2

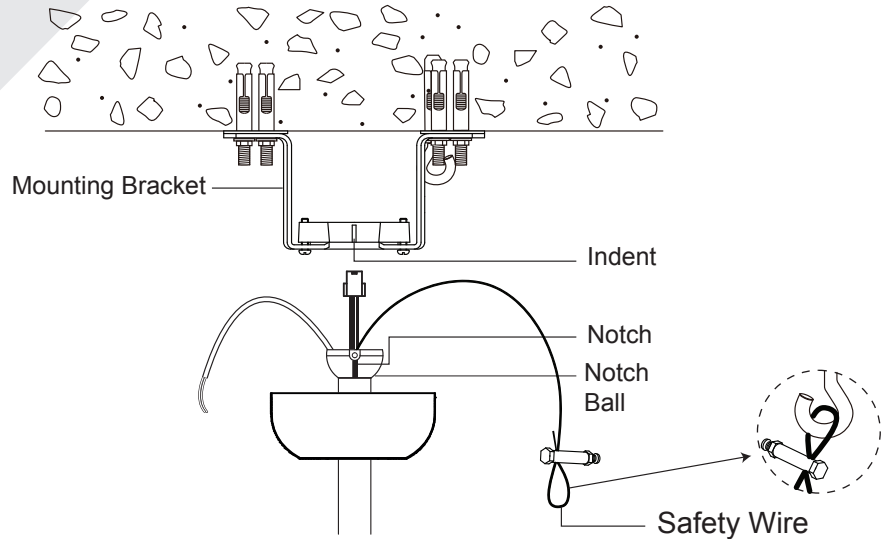


Drill the 4 Expansion Screws and 1 Expansion 'J' Hook provided to the concrete ceiling. Align the slotted holes in the Mounting Bracket with the Expansion Screws and secure with the washer and nuts.

IMPORTANT : THE EXPANSION SCREWS, EXPANSION 'J' HOOK AND NUT MUST BE TIGHTENED UNTIL SNUG.

Installation Instruction

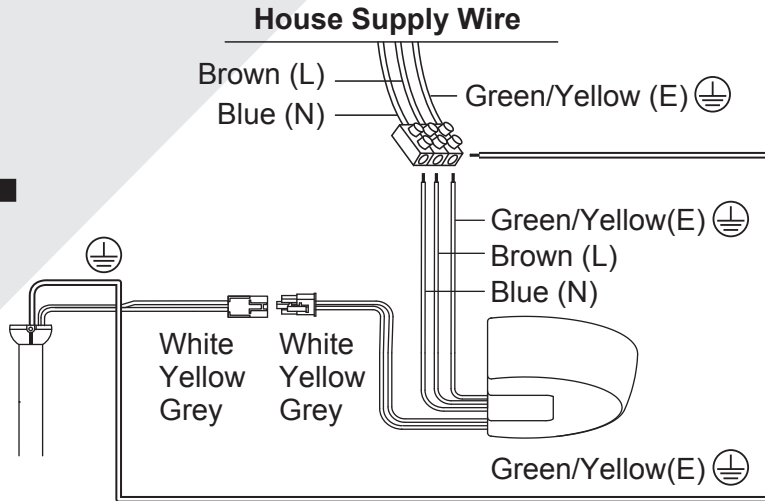
3



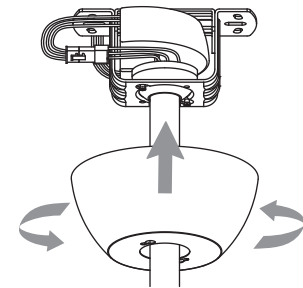
Raise the fan and place the Notch Ball into the Mounting Bracket. Align the notch on the Notch Ball with the indent in the Mounting Bracket until you hear the Notch pop into place. Hook the Safety Wire onto the Expansion 'J' Hook.

Installation Instruction

4



Insert the receiver into the canopy and store all wires neatly.



VIEW AFTER INSTALLATION

- Connect the Connectors from Fan and Receiver.
- Connect the wires from the Receiver.
- Connect Earth Wire to House Supply Earth Terminal.

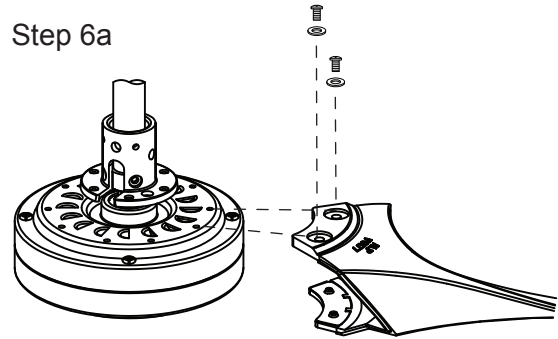
Installation Instruction

IMPORTANT : ASSEMBLE THE BLADES ONLY AFTER THE CEILING FAN IS MOUNTED ON THE HOOK.

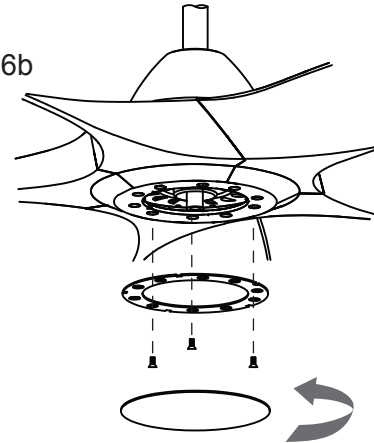
6

- a. Install the Blades on Motor with Blade Screw and Washer.
 - b. Install the Connecting Ring with Connecting Ring Screw (x10). Install the Decorative Cover by twisting in.
-

Step 6a



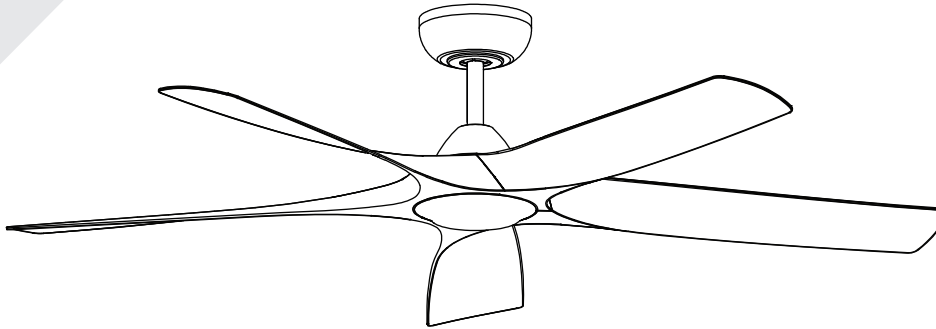
Step 6b



Installation Instruction

6

Below shows a complete installation diagram



Transmitter Learning Process

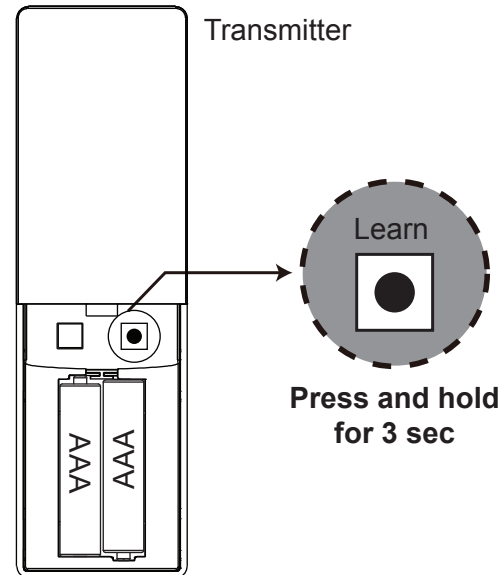
The receiver & transmitter is pre-programmed in factory. If you wish to control 2 or more fans using 1 transmitter, the below steps are required.

DO NOT PRESS ANY OTHER BUTTON DURING THIS PROCESS

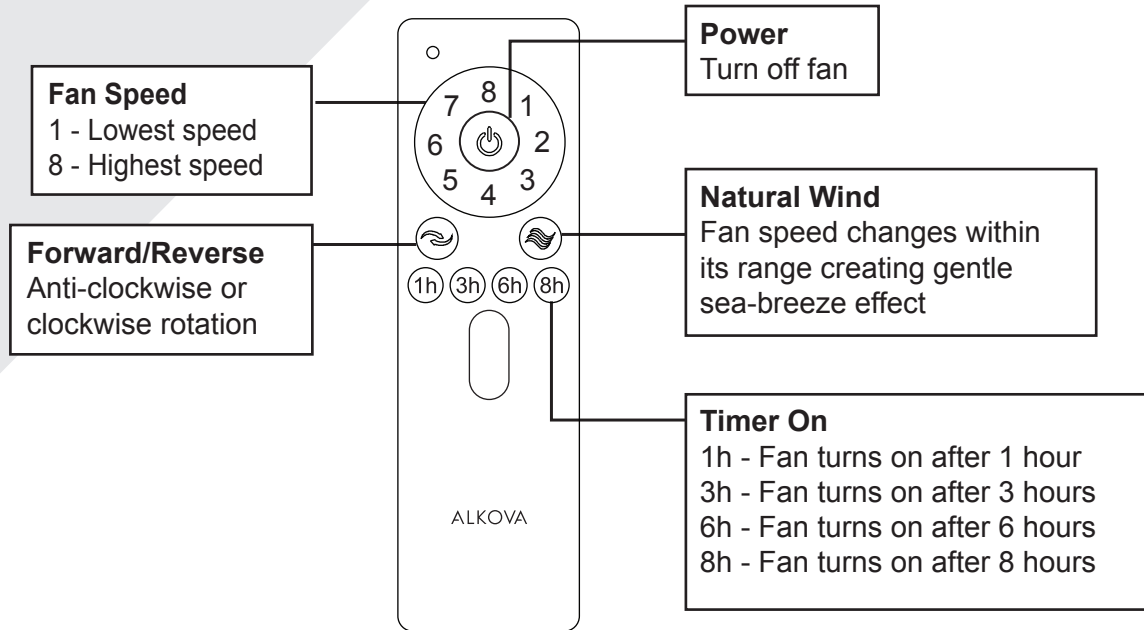
Turn on power to fan.

Within 30 sec, press and hold “LEARN” button for 3 sec.

Once receiver has detected the frequency, transmitter with “Beep Beep” twice. Programming process is completed and fan is ready to use.



Transmitter Function

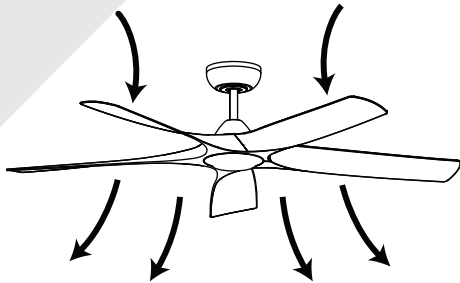


The transmitter & receiver is incorporated with last memory function. This function stores your last setting in memory and the next time you turn on the fan, fan will operate as the last setting.

Function of Forward & Reverse

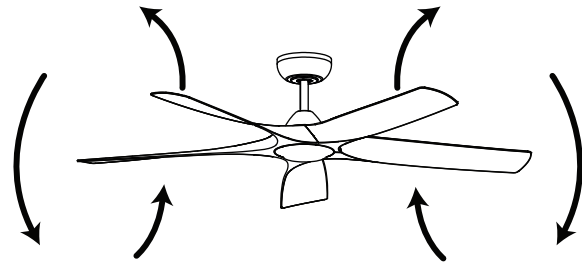
Fan must be turned on and rotating.

Press and hold Forward/Reverse button for 3 sec. Fan will slow down and then change direction (approx. 15 sec). When the fan is slowing down to change direction, the Fan Speed function is disabled until direction has been changed.



Forward

Fan rotates anti-clockwise blowing the air downwards creating the wind chill effect. **Suitable for hot weather condition.**

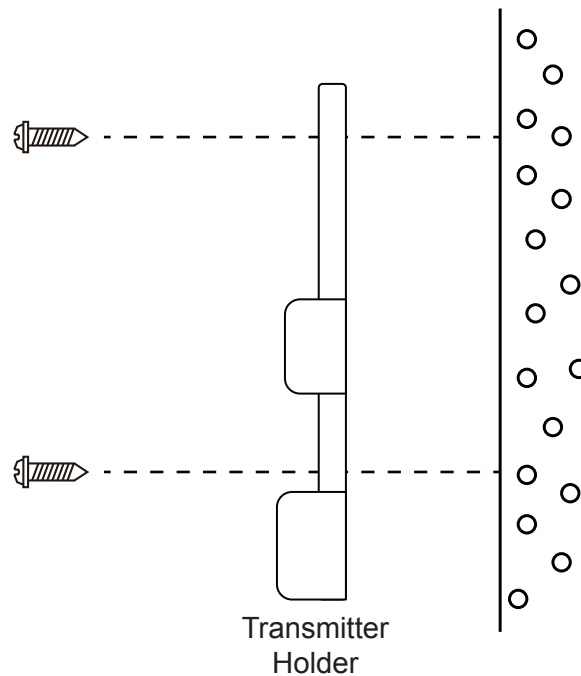


Reverse

Fan rotates clockwise drawing the air towards the ceiling circulating the warm air downwards. This function works best at low speed. **Suitable for air-conditioned condition.**

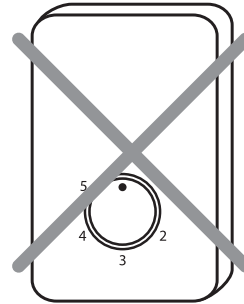
Transmitter Assembly

Install the Transmitter Holder to wall
with the 2 Screws provided.

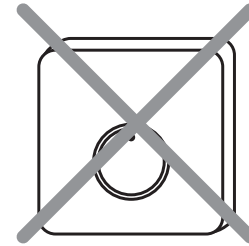


Power Supply Connection

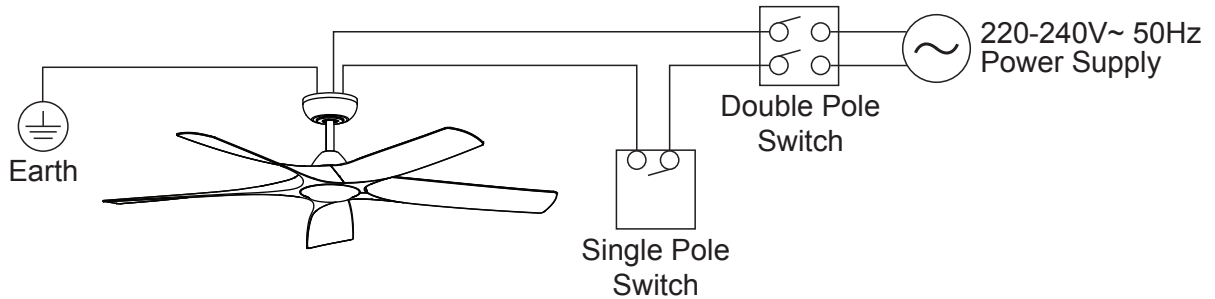
IMPORTANT : DO NOT CONNECT THIS REMOTE CONTROL CEILING FAN TO REGULATOR OR DIMMER SWITCH.



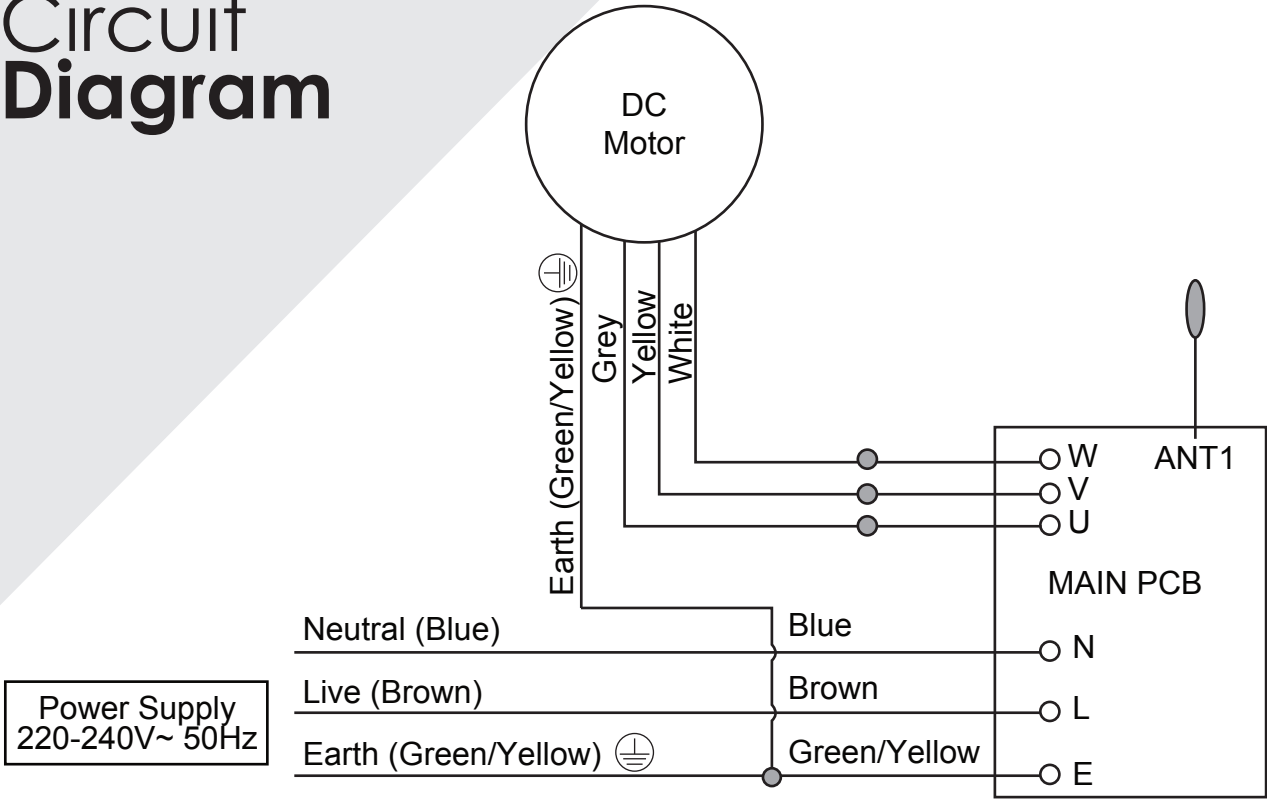
Regulator



Dimmer Switch



Circuit Diagram



Maintenance

Due to the fan's natural movement, connections may get loose after a period of usage. To ensure a proper and safety usage, it is highly recommended to inspect and tighten all connections every 6 months.

Cleaning

Cleaning your fan periodically will prolong its new appearance. Basic cleaning procedures are as follows :

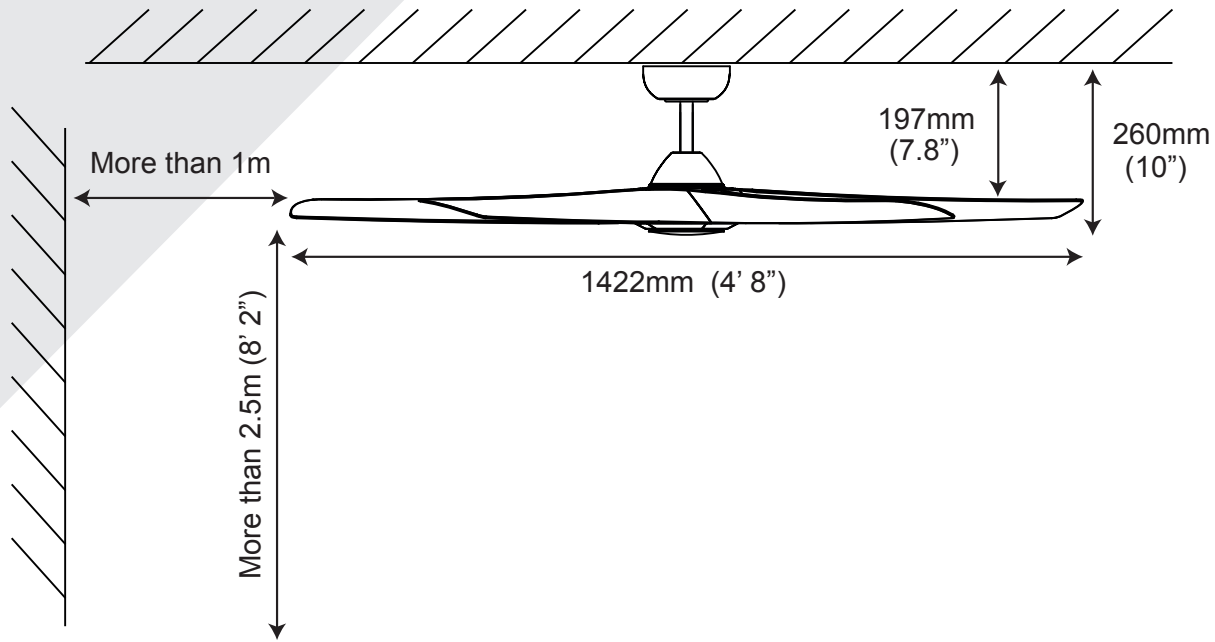
1. Use only lukewarm water. Do not use detergent, corrosive or acidic solution.
2. Damp the cloth lightly. Use only soft or lint-free cloth to clean the fan. Rough fabric will scratch the surface.
3. Do not bend the blades while cleaning. At the event where blades are bent or damage, order new set of blades from service centre or dealer shop.
4. There is no need to oil the fan.

Technical Specifications

MODEL	AXIS-5B/56
No. of Blades	5
Fan Width	1422mm (56")
Motor RPM	90 - 205
Voltage	220-240V~ 50Hz
Motor Wattage	5W - 55W
Nett Weight	6.9 kg

Information may subject to 5% variation.

Technical Specifications



Customer Service

If you need any technical assistance or faulty report, please contact our customer service centre at :

Alpha Sales & Services Pte. Ltd. (200709461 R)
50, Ubi Avenue 3, #02-16/17, Frontier, Singapore 408866.
Tel : +65 6841 0111 Fax : +65 6747 0030
Website : www.alphasingapore.com
Email : customercare@alphasingapore.com