



Instruction Manual

CEILING FAN

Model : Excel 3B/56

Excel 5B/42

TABLE OF CONTENT

Item	Page No.
1. Safety Precaution	1 - 2
2. Parts & Accessories	3
3. Installation Instruction	4 - 6
4. Circuit Diagram	7
5. Power Supply Connection	7
6. Transmitter Programming	8
7. Transmitter Function & Assembly	9 - 10
8. Maintenance	11
9. Technical Specifications	11
10. Customer Service Centre	12

SAFETY PRECAUTION

Warning

Installation and maintenance work shall only be performed by qualified persons, familiar with local code and regulation, and experienced with this type of appliance.

All field wiring must be installed in accordance with the national wiring regulation.

Ensure that the rated voltage of the unit corresponds to that of the name plate before commencing wiring work according to the wiring diagram.

The unit must be GROUNDED to prevent possible hazard due to insulation failure.

The earth wire is approximately 60mm longer than safety wire. This is to ensure at the event whereby the suspension system fails, the (L) and (N) wire will break leaving the fan remain earthed to prevent electrocution.

Tighten the blade firmly using a screw driver.

Blades that are detached from the unit during operation will cause serious injuries and property damages.

The appliances are not intended for use by person (including children) with reduced physical sensory or mental capabilities or lack of experience and knowledge, unless they have been given supervision or instruction.

Children should be supervised to ensure that they do not play with the appliances.

Confirm that the power supply has been switched OFF before installing or servicing the unit. Ensure that the blade is fully static before doing any maintenance work.

SAFETY PRECAUTION

Disconnect from the main power supply before servicing the unit.

DO NOT pull out the power cord when the power is ON. This may cause serious electrical shocks which may result in fire hazards.

STOP using the ceiling fan when any abnormality or failure occurs.

Immediately stop using the ceiling fan and switch off the power supply. Please contact you authorized dealer for repairing and maintenance work.

CAUTION

Please take note of the following important points when installing.

Safety cord should not be longer than the earthing conductor.

Should failure of the suspension system occur, the supporting of the fan must not rely on the earthing conductor. The earthing terminal in the fan assembly should be such that should any part of the suspension system fall off, the body of the fan assembly shall effectively earthed.

Ensure that the unit's panel is closed after service or installation.

Unsecured panels will cause the unit to operate noisily.

Sharp edges and coil surfaces are potential locations which may cause injury hazards. Avoid from being in contact with these places.

Before turning off the power supply set the remote controller's ON/OFF switch to the "OFF" position.

If this is not done, the unit's fans will start turning automatically when power resumes, posing a hazard to service personnel or the user.

Do not operate any heating apparatus too close to the ceiling fan unit or use in room where mineral oil, oil vapour or oil steam exist, this may cause plastic part to melt or deform as a result of excessive heat or chemical reaction.

Ensure the colour of wires of the outdoor unit and the terminal markings are same to the indoors respectively.

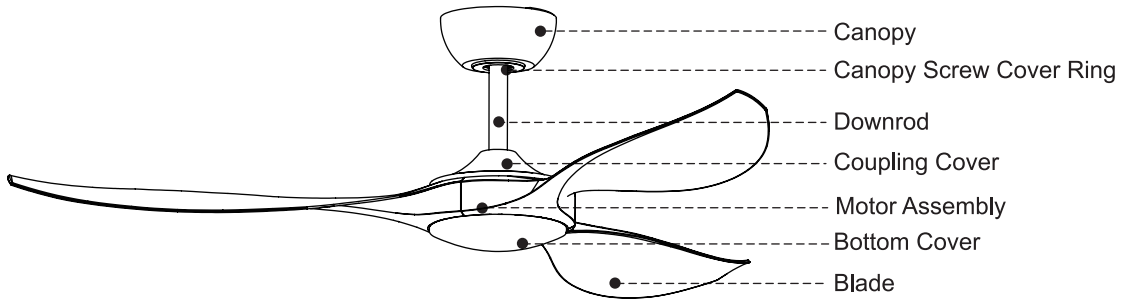
Don't use joined and twisted wires for incoming power supply.

Do not place any object in the path of the blades. Avoid raising objects or your arms near the ceiling fan.

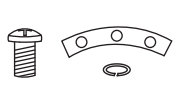
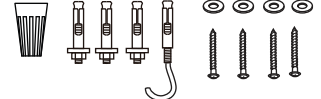
The installation instruction shall include the recommendation that the fan suspension system shall be examined regularly, at least once in every two years. This recommendation shall be written on the fan and on the regulator or permanently attached to the fan and to the regulator and be visible to user. The writing shall be legible and permanent.

PARTS & ACCESSORIES

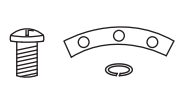
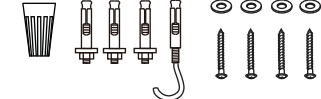
Item	Excel 3B/56 Qty	Excel 5B/42 Qty
1. Canopy	1	1
2. Canopy Screw Cover Ring	1	1
3. Downrod Assembly with Rubber Pulley	1	1
4. Coupling Cover	1	1
5. Motor Assembly	1	1
6. Bottom Cover	1	1
7. Blade	3	5
8. Assembly Kit	1	1
9. Transmitter Kit	1	1
10. Receiver Kit	1	1



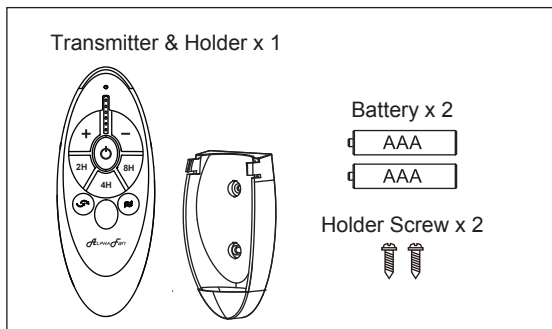
Assembly Kit - Excel 3B/56

	
Blade Screw x 10 Washer x 10 Spacer x 3	Wire Connector x 3 Expansion Bolt with Nut x 3 Expansion Bolt with Hook x 1 Wood Screw x 4 Washer x 4

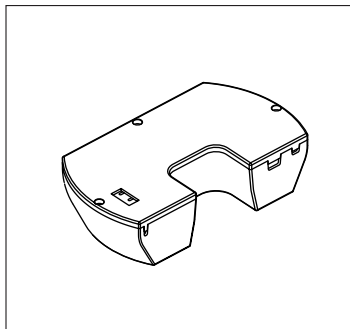
Assembly Kit - Excel 5B/42

	
Blade Screw x 16 Washer x 16 Spacer x 5	Wire Connector x 3 Expansion Bolt with Nut x 3 Expansion Bolt with Hook x 1 Wood Screw x 4 Washer x 4

Transmitter Kit



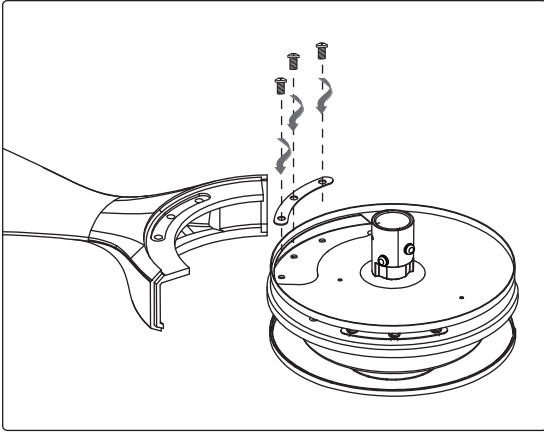
Receiver Kit



INSTALLATION INSTRUCTION

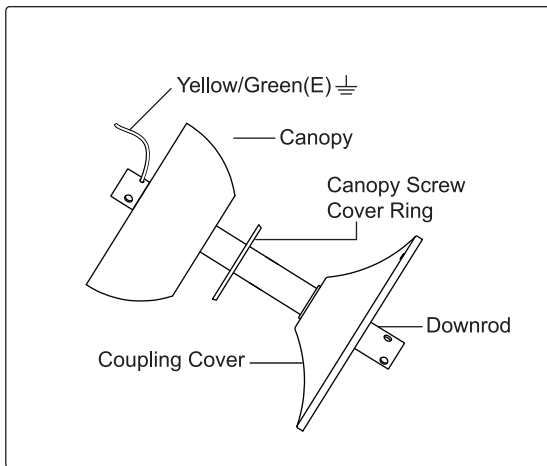
Step 1

Align the holes on the blade to motor, install blades onto motor with the screws, washers and spacer provided.



Step 2

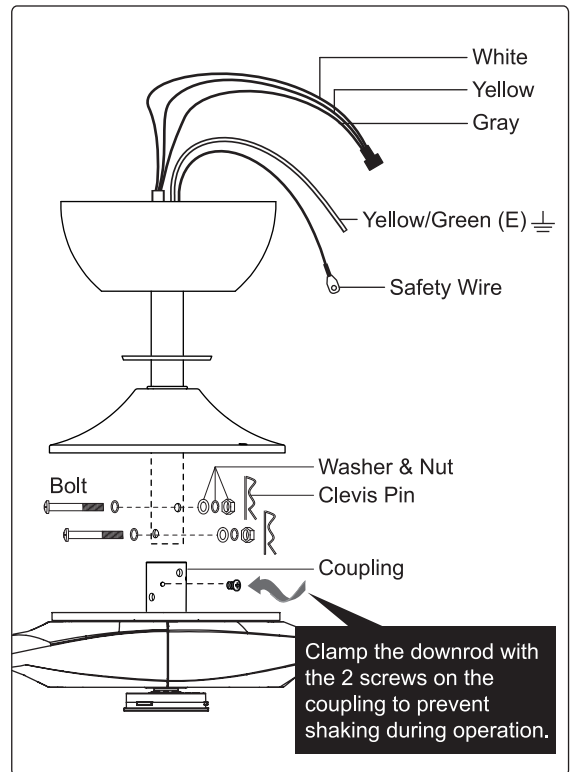
Assemble the canopy, canopy screw cover ring and coupling cover through the downrod in order.



Step 3

- Remove the bolt, clevis, nut, and washer from the coupling. Route the safety wire and wires from the motor through downrod.
- Fix the downrod to the coupling and insert 2 bolts through the downrod and secure the bolts with washer, nut and clevis pin. Tighten the 2 screws on the coupling till snug to serve as a clamping force to prevent fan from shaking during operation.

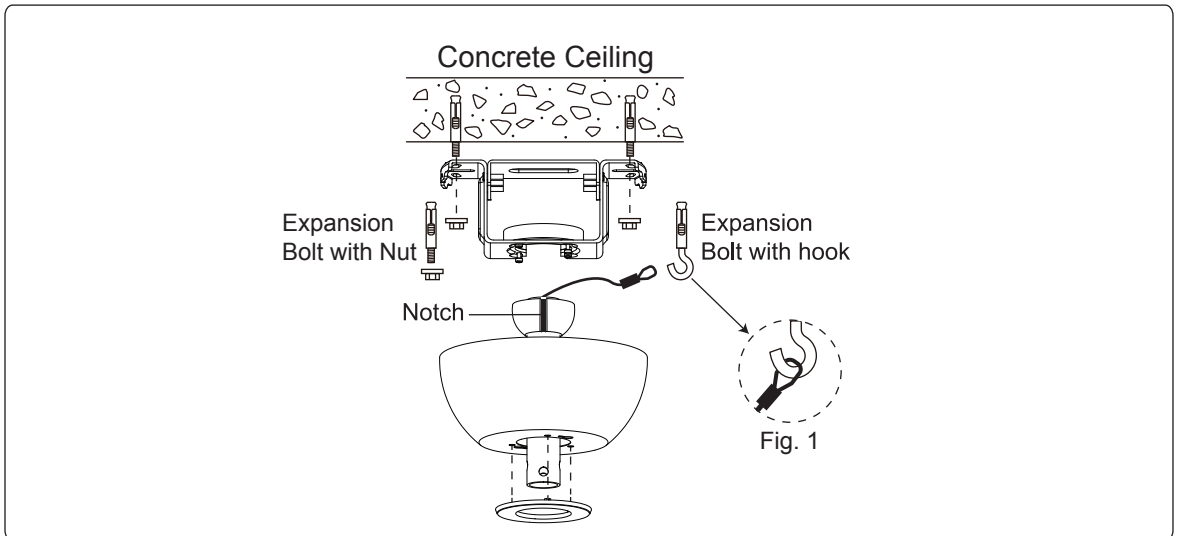
IMPORTANT : CLEVIS PIN MUST BE INSERTED TO PREVENT NUT FROM LOOSENING.



INSTALLATION INSTRUCTION

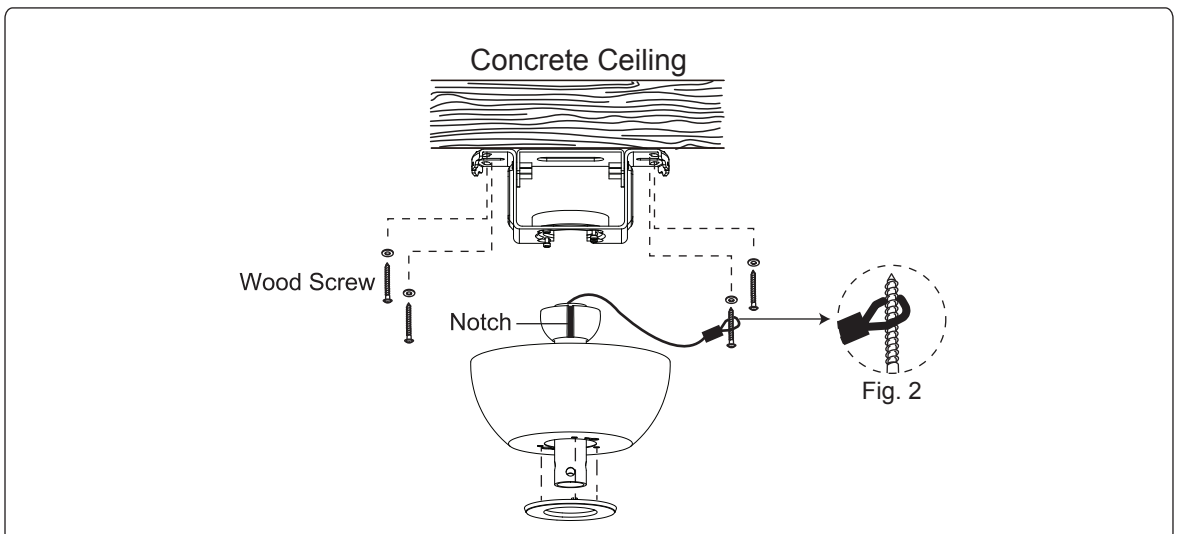
Step 5A - Concrete Ceiling

- a) Install the bracket onto concrete ceiling with the expansion with nuts and expansion bolt with hook.
- b) Hook the safety wire from fan motor onto hook (Fig. 1).
IMPORTANT : SCREW & NUTS MUST BE TIGHTENED TILL SNUG.
- c) Raise the fan and place the hanger ball onto mounting bracket.
- d) Rotate the fan until the notch on hanger ball snapped into the slot on mounting bracket and sits firmly.
Note : The downrod and hanger ball could not be rotated if this step is done correctly.
- e) Align the keyholes on canopy with mounting bracket and secure with 2 screws.
- f) Align the 3 holes on canopy cover with canopy and push in till snug.



Step 5B - Wooden Ceiling

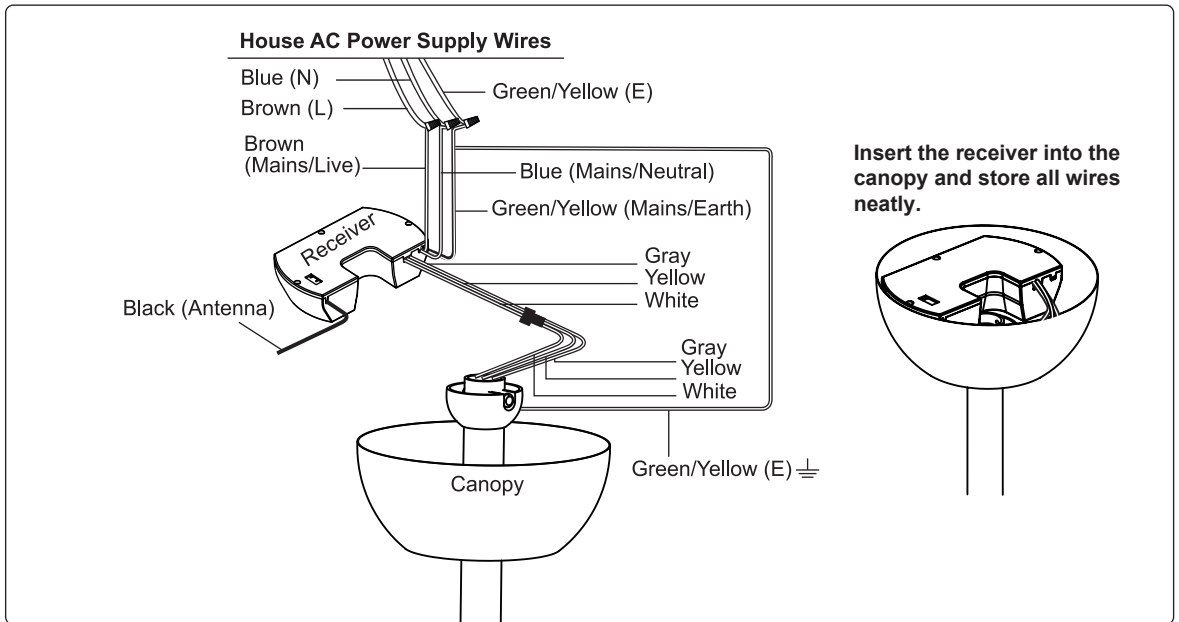
- a) Hook the safety wire on 1 of the wood screw (Fig. 2).
- b) Install the bracket onto wooden ceiling with the wood screws & washers.
IMPORTANT : SCREW & NUTS MUST BE TIGHTENED TILL SNUG.
- c) Raise the fan and place the hanger ball onto mounting bracket.
- d) Rotate the fan until the notch on hanger ball snapped into the slot on mounting bracket and sits firmly.
Note : The downrod and hanger ball could not be rotated if this step is done correctly.
- e) Align the keyholes on canopy with mounting bracket and secure with 2 screws.
- f) Align the 3 holes on canopy cover with canopy and push in till snug.



INSTALLATION INSTRUCTION

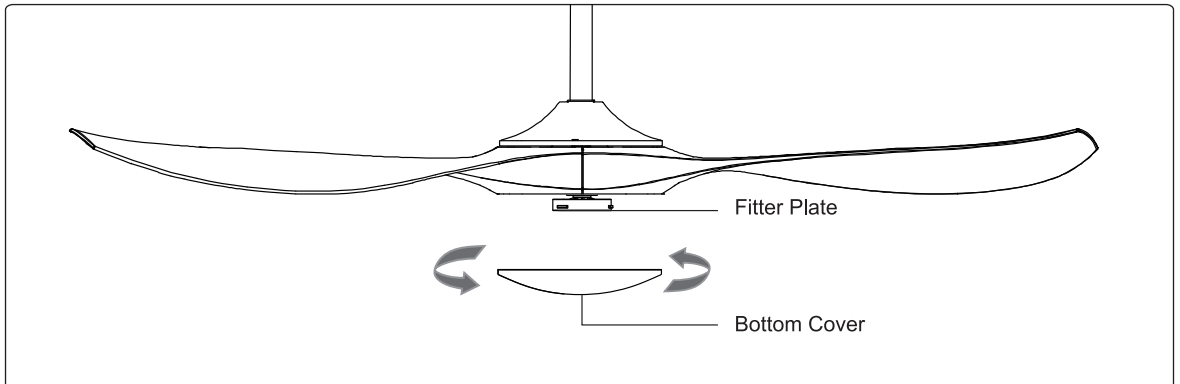
Step 6

- Connect the gray, white & yellow wires from both receiver and fan with the connectors provided.
- Connect the brown, blue and yellow/green wires from receiver to the house's AC power supply wires.

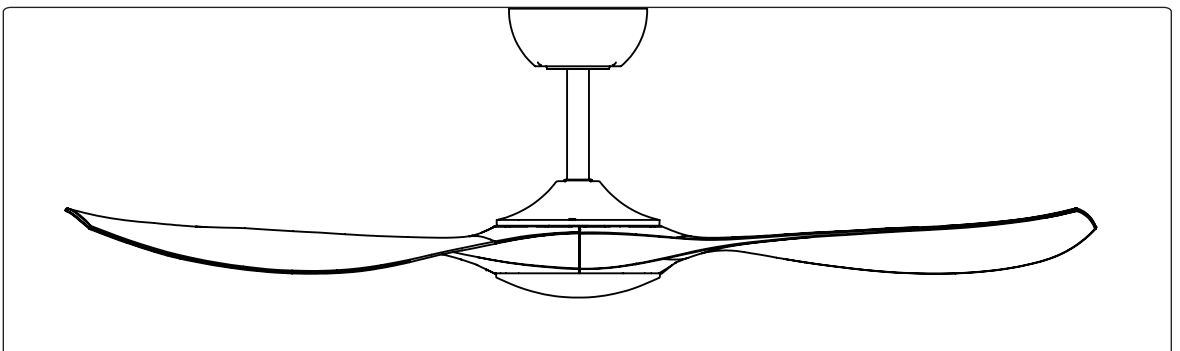


Step 7

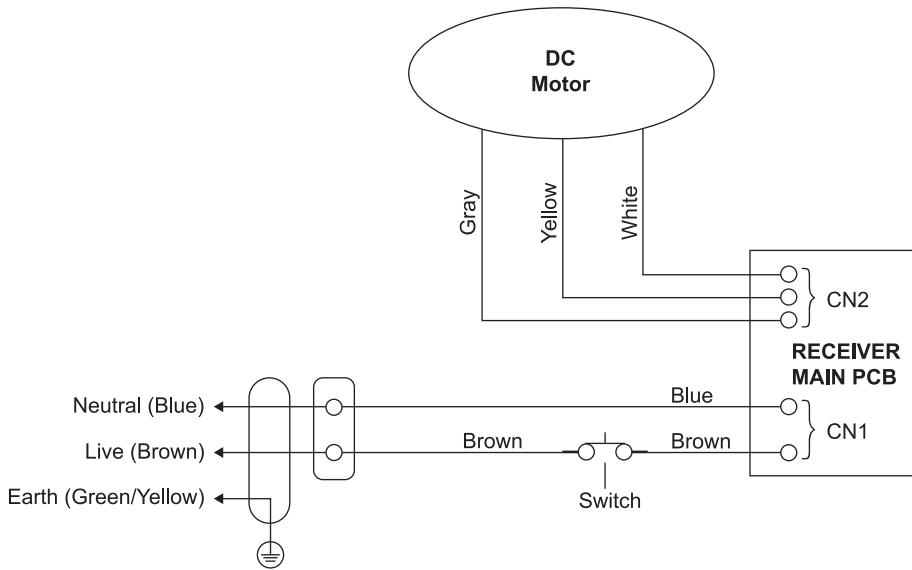
Align and twist the bottom cover onto fitter plate till snug.



Below shows a complete installation diagram

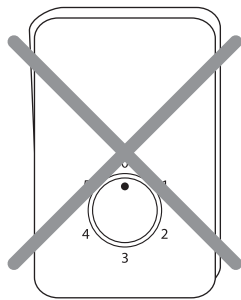


CIRCUIT DIAGRAM

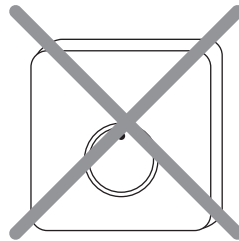


POWER SUPPLY CONNECTION

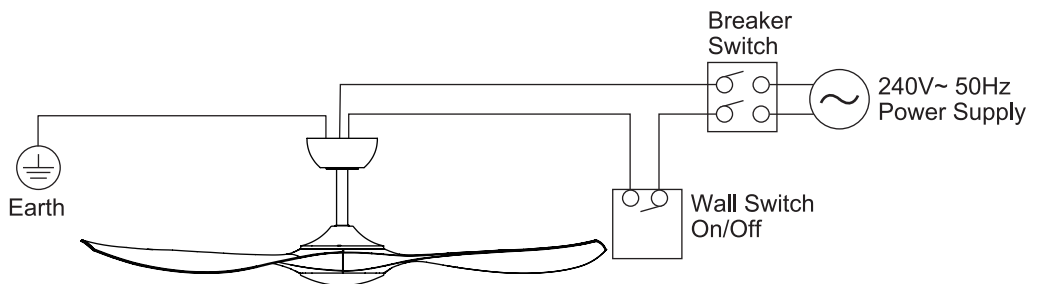
IMPORTANT : DO NOT CONNECT THIS REMOTE CONTROL CEILING FAN TO REGULATOR OR DIMMER SWITCH.



Regulator



Dimmer Switch

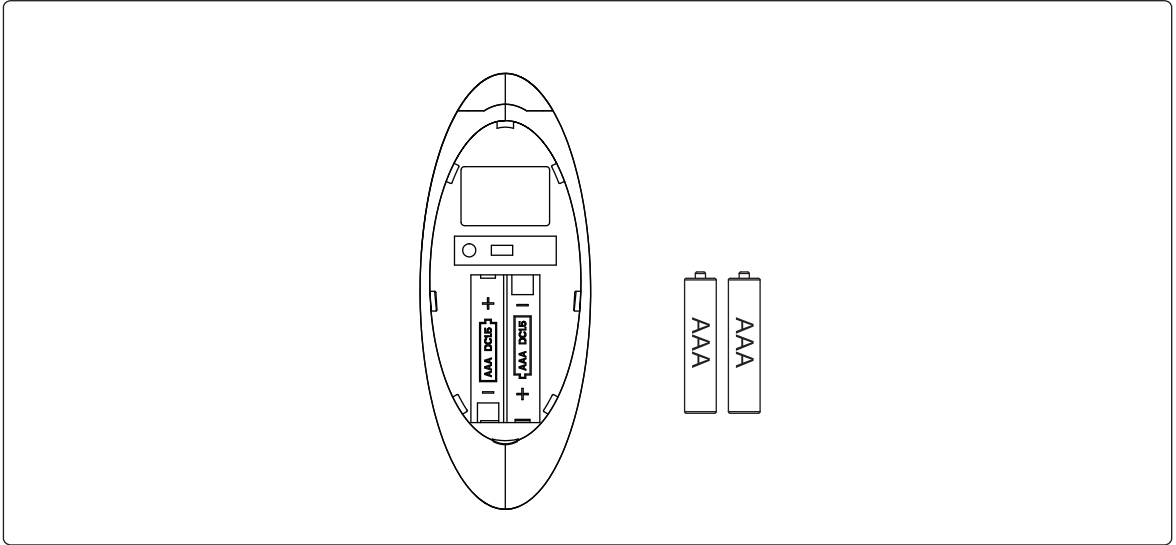


TRANSMITTER PROGRAMMING

This DC motor is equipped with self-learning frequency function transmitter. Read all the steps BEFORE proceeding. Each step must be followed exactly in order to program the transmitter.

Step 1

Insert the 2 pcs of AAA batteries (provided) into the transmitter.

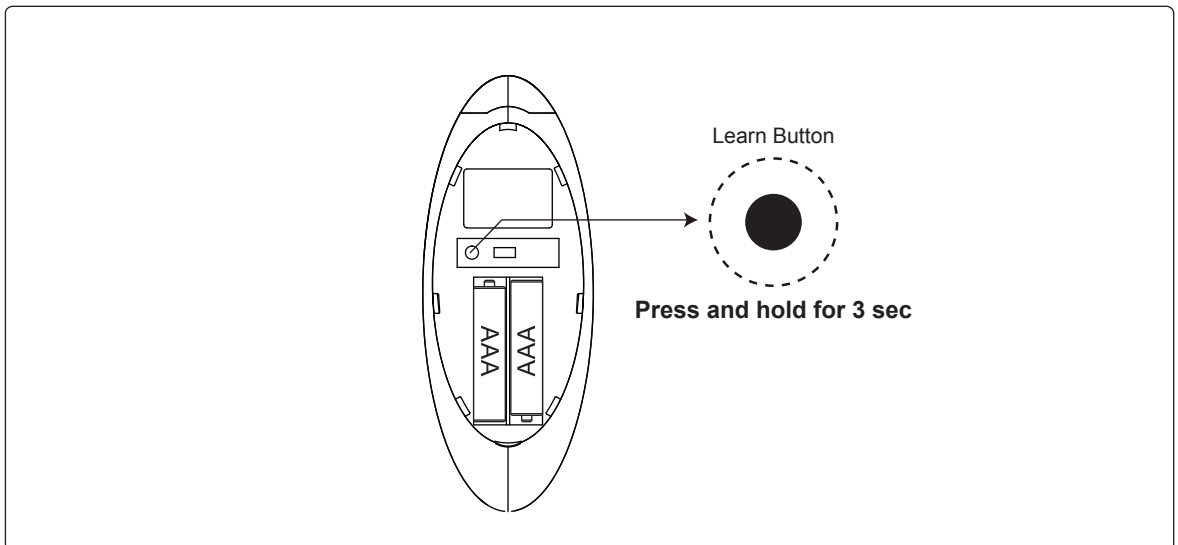


Step 2

DO NOT PRESS ANY OTHER BUTTON ON THE TRANSMITTER DURING THIS PROCEDURE.

- Turn on the power supply (wall switch) to the fan.
- Within 30 sec, use a ball pen/test pen to press and hold the "LEARN" button for 3 sec. Once the receiver has detected and learned the frequency, the transmitter will "Beep Beep" twice. Programming/self-learning process is completed and fan is ready to use.

If the fan is not responding to the transmitter, repeat Step 2.



TRANSMITTER FUNCTION

IMPORTANT : DO NOT CONNECT THIS REMOTE CONTROL CEILING FAN TO REGULATOR OR DIMMER SWITCH.

Function of Transmitter

 : Turns off the fan


+ / - : Press **+** to increase fan speed and **-** to reduce. LED will indicate the speed level.

*The transmitter & receiver is incorporated with last memory function. This function stores your last setting in memory and the next time you turn on the fan, by pressing **+ / -**, fan will operate as the last setting.*


2H : Timer on, fan turns on after 2 hrs

4H : Timer on, fan turns on after 4 hrs

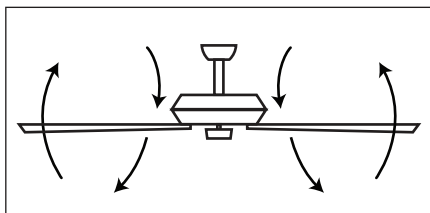
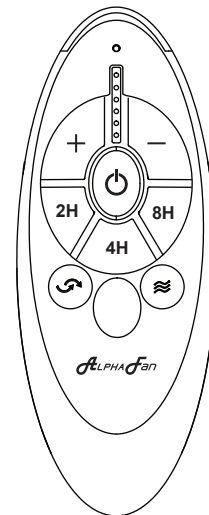
8H : Timer on, fan turns on after 8 hrs

 : Natural Wind - Fan speed changes withing its range creating gentle sea-breeze effect.

 : Forward / Reverse

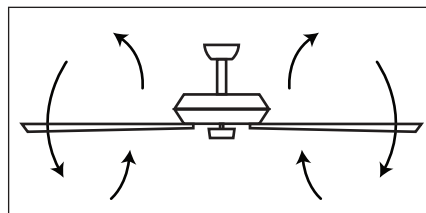
1. Fan must switched on and rotating.
2. Press the  button to change fan rotating direction.
3. Fan will slow down and then change direction. (approx. 15 sec)

When the fan is slowing down to change direction, the Fan Speed function is disabled until direction has been changed.



Forward

Fan rotates anti-clockwise creating a downward airflow delivering a cooling effect. Suitable for hot weather condition.

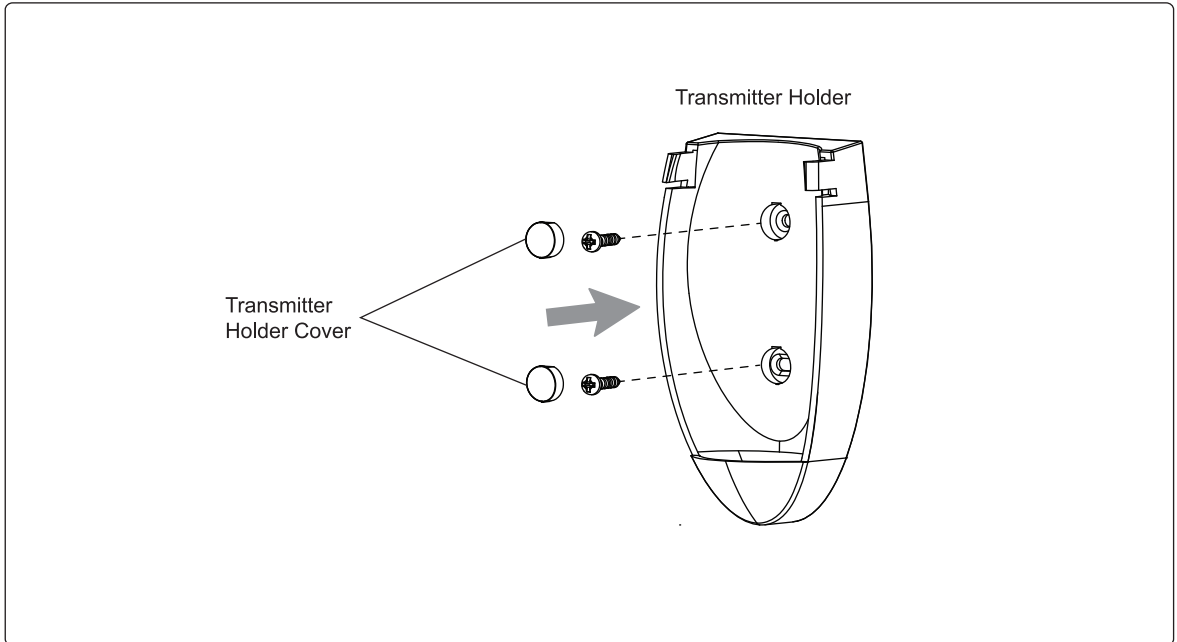


Reverse

Fan rotates clockwise creating an upward airflow moving warm air off the ceiling areas. This function works best at lower fan speed. Suitable for cold weather or air-conditioned condition.

TRANSMITTER ASSEMBLY

1. Remove the transmitter holder cover from the transmitter holder.
2. Install the transmitter holder to the wall or any flat surface with the 2 mounting screw provided.
3. Replace the transmitter holder cover.



MAINTENANCE

Due to the fan's natural movement, connections may get loose after a period of usage. To ensure a proper and safety usage, inspect the suspension system and tighten all connections every 6 months.

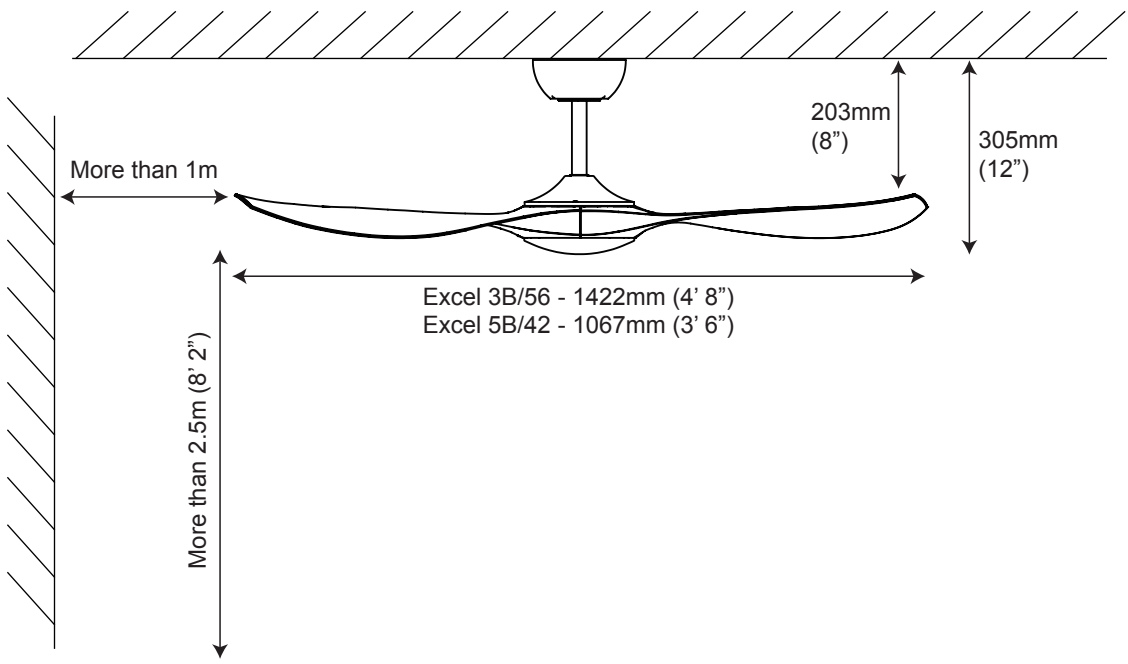
Cleaning

Cleaning your fan periodically will prolong its new appearance. Basic cleaning procedures are as follows :

1. Use only lukewarm water. Do not use detergent, corrosive or acidic solution.
2. Damp the cloth lightly. Use only soft or lint-free cloth to clean the fan. Rough fabric will scratch the fan surface.
3. To cover small scratches, apply a light coat of shoe polish over it.
4. There is no need to oil the fan.

TECHNICAL SPECIFICATIONS

Model	Excel 3B/56	Excel 5B/42
No. of blades	3	5
Fan width	56"	42"
Motor RPM	70 - 175	87 - 220
Voltage	240V~ 50Hz	240V~ 50Hz
Wattage (Fan only)	5W - 47W	5.2W - 47W



CUSTOMER SERVICE CENTRE

If you need any technical assistance or faulty report, please contact our customer service centre at :

Alpha Sales & Service Pte. Ltd. (200709461 R)

8, Ubi Road 2, # 01-07 & 01-08, Zervex, Singapore 408538.

Tel : +65 6841 0111 Fax : +65 6747 0030

Website : www.alphasingapore.com Email : customercare@alphasingapore.com